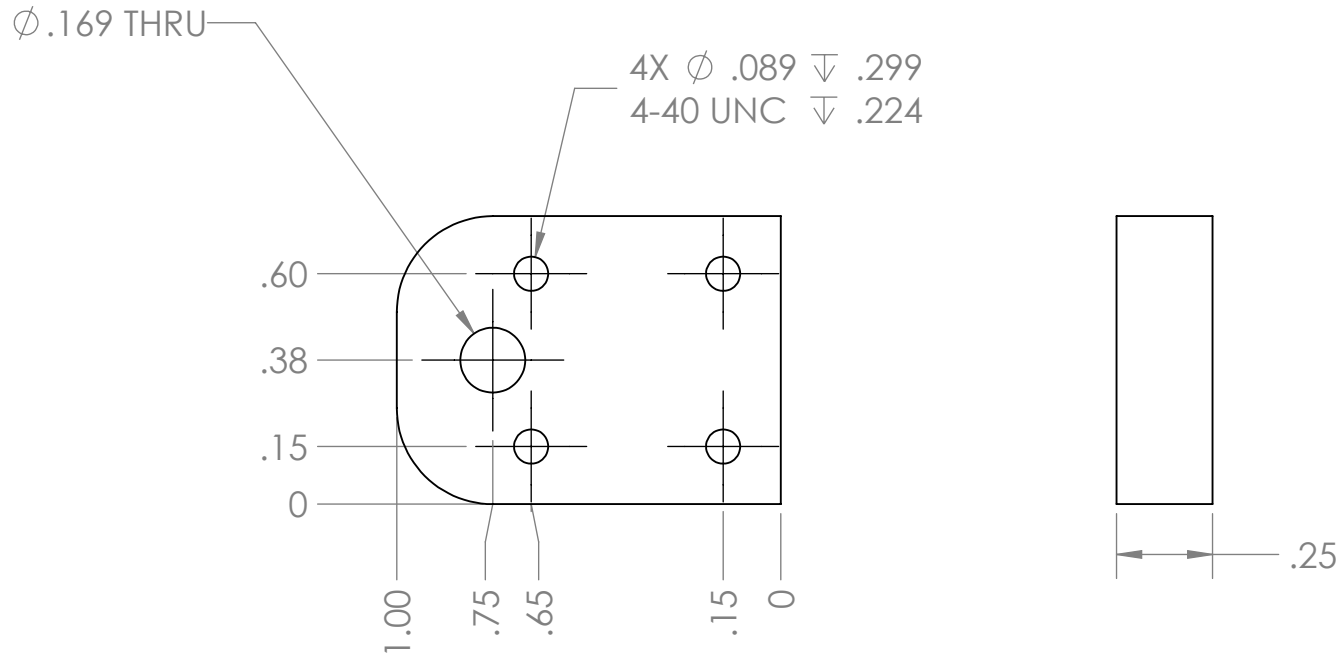


SIZE  
**A**



REMOVE BURRS & SHARP EDGES

UNLESS OTHERWISE SPECIFIED:  
DIMENSIONS ARE IN INCHES

TOLERANCES:  
 FRACTIONAL  $\pm 1/32"$   
 ANGULAR: MACH  $\pm 2^\circ$  BEND:  $\pm 1/16"$   
 TWO PLACE DECIMAL  $\pm 0.020"$   
 THREE PLACE DECIMAL  $\pm 0.005"$

## BELT MOUNT LOWER, SADDLE

DESCRIPTION

PART NO.

GROUP

ENGINEER

SHAWN WRIGHT

DRAWN BY

DATE

MATERIAL WEIGHT

2:1

SCALE REV.

H:\ME\_450\Linear Book Scanner\Saddle\

FILE PATH