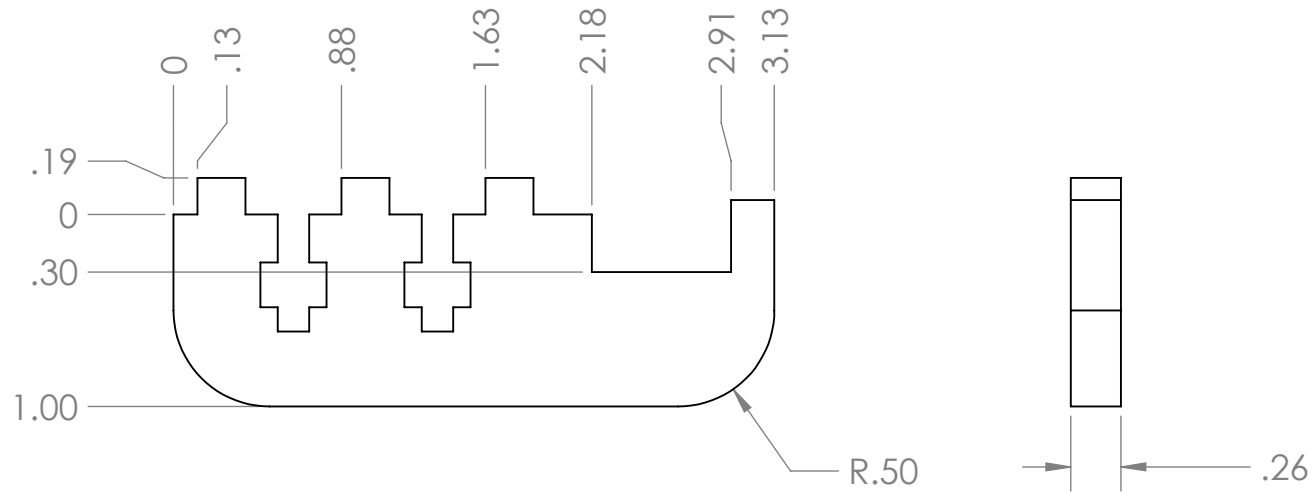


SIZE
A



REMOVE BURRS & SHARP EDGES

UNLESS OTHERWISE SPECIFIED:
DIMENSIONS ARE IN INCHES

TOLERANCES:
 FRACTIONAL $\pm 1/32"$
 ANGULAR: MACH $\pm 2^\circ$ BEND: $\pm 1/16"$
 TWO PLACE DECIMAL $\pm 0.020"$
 THREE PLACE DECIMAL $\pm 0.005"$

BRACKET, SCANNER BAR OUTFEED

DESCRIPTION

PART NO.	GROUP		
ENGINEER	SHAWN WRIGHT	DRAWN BY	DATE
MATERIAL	WEIGHT	1:1	SCALE REV.
H:\ME_450\Linear Book Scanner\Scanner Bars\			FILE PATH