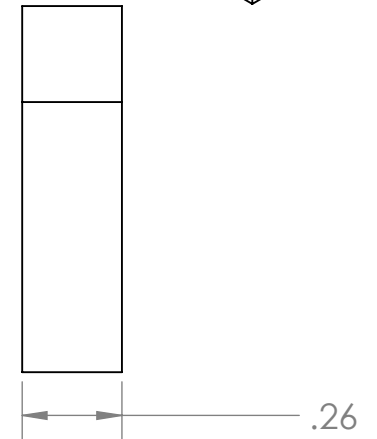
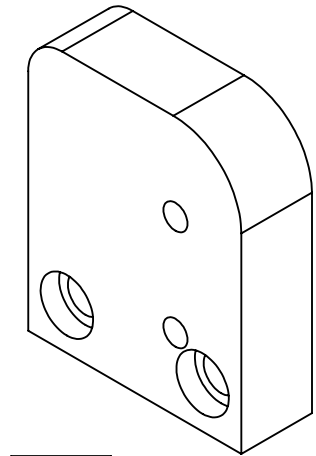
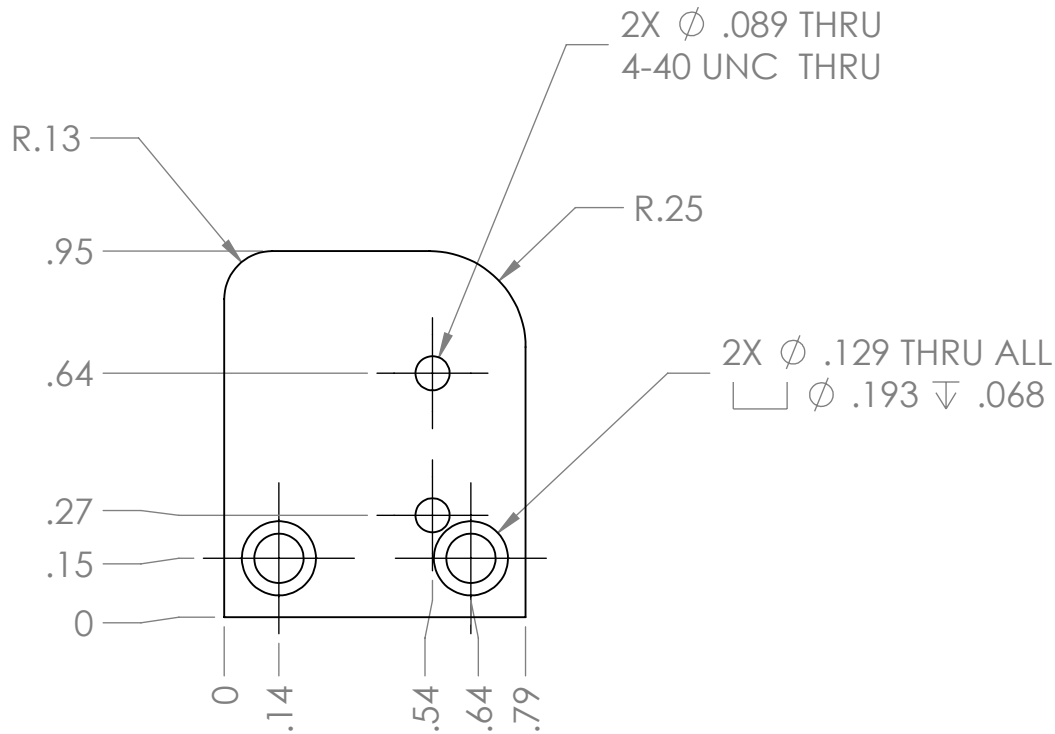


SIZE  
**A**



REMOVE BURRS & SHARP EDGES

UNLESS OTHERWISE SPECIFIED:  
DIMENSIONS ARE IN INCHES

TOLERANCES:  
FRACTIONAL  $\pm 1/32$ "  
ANGULAR: MACH  $\pm 2^\circ$  BEND:  $\pm 1/16$ "  
TWO PLACE DECIMAL  $\pm 0.020$ "  
THREE PLACE DECIMAL  $\pm 0.005$ "

## LIMIT SWITCH MOUNT, OUTFEED

DESCRIPTION

PART NO.

GROUP

ENGINEER

SHAWN WRIGHT

DRAWN BY

DATE

MATERIAL WEIGHT

2:1

SCALE REV.

H:\ME\_450\Linear Book Scanner\Pulleys\

FILE PATH