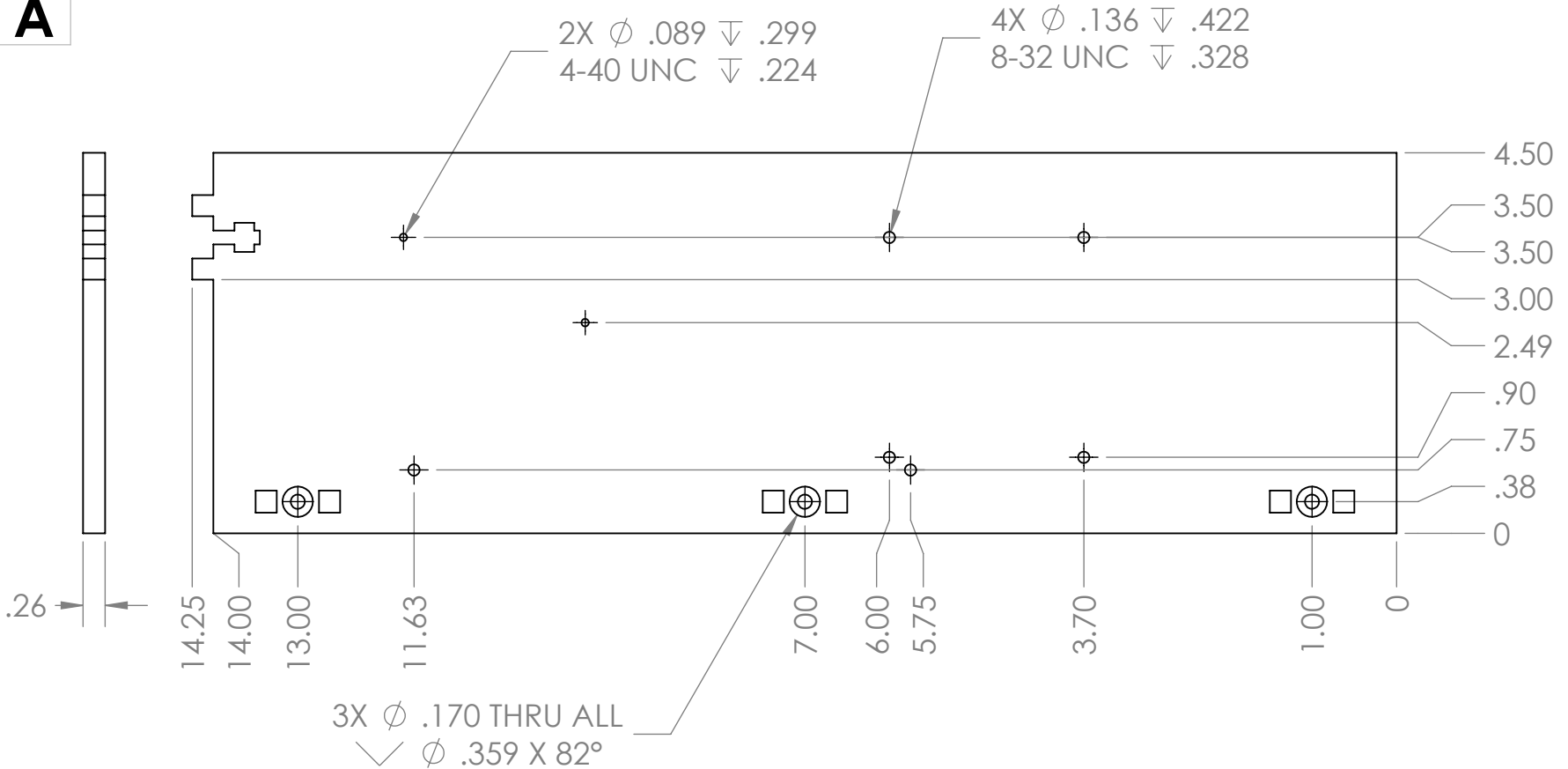


SIZE
A



REMOVE BURRS & SHARP EDGES

UNLESS OTHERWISE SPECIFIED:
DIMENSIONS ARE IN INCHES

TOLERANCES:
FRACTIONAL $\pm 1/32"$
ANGULAR: MACH $\pm 2^\circ$ BEND: $\pm 1/16"$
TWO PLACE DECIMAL $\pm 0.020"$
THREE PLACE DECIMAL $\pm 0.005"$

SIDE INFEED, ELECTRONICS SLIDE

DESCRIPTION

| | | | |
|--|--------------|----------|------------|
| PART NO. | GROUP | | |
| ENGINEER | SHAWN WRIGHT | DRAWN BY | DATE |
| MATERIAL | WEIGHT | 1:8 | SCALE REV. |
| H:\ME_450\Linear Book Scanner\Electronics Slide\ | | | FILE PATH |