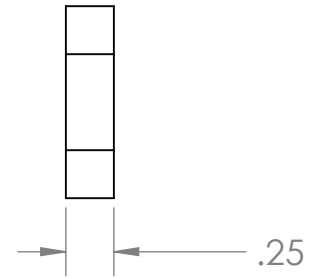
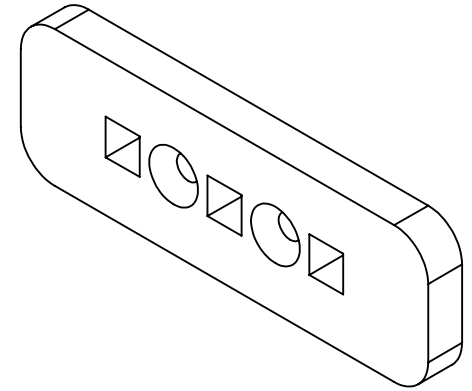
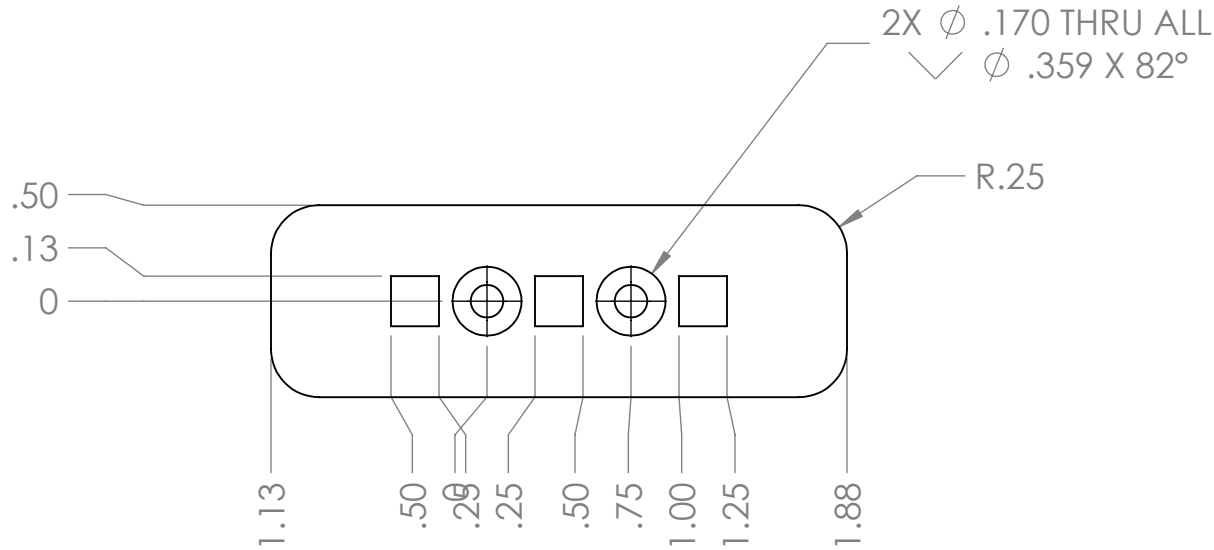


SIZE
A



REMOVE BURRS & SHARP EDGES

UNLESS OTHERWISE SPECIFIED:
DIMENSIONS ARE IN INCHES

TOLERANCES:
FRACTIONAL $\pm 1/32"$
ANGULAR: MACH $\pm 2^\circ$ BEND: $\pm 1/16"$
TWO PLACE DECIMAL $\pm 0.020"$
THREE PLACE DECIMAL $\pm 0.005"$

NUT HOLE FOR EXPO

DESCRIPTION

PART NO.

GROUP

ENGINEER

SHAWN WRIGHT

DRAWN BY

DATE

MATERIAL WEIGHT

1:1

SCALE REV.

H:\ME_450\Linear Book Scanner\Fastener Example\

FILE PATH