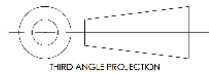
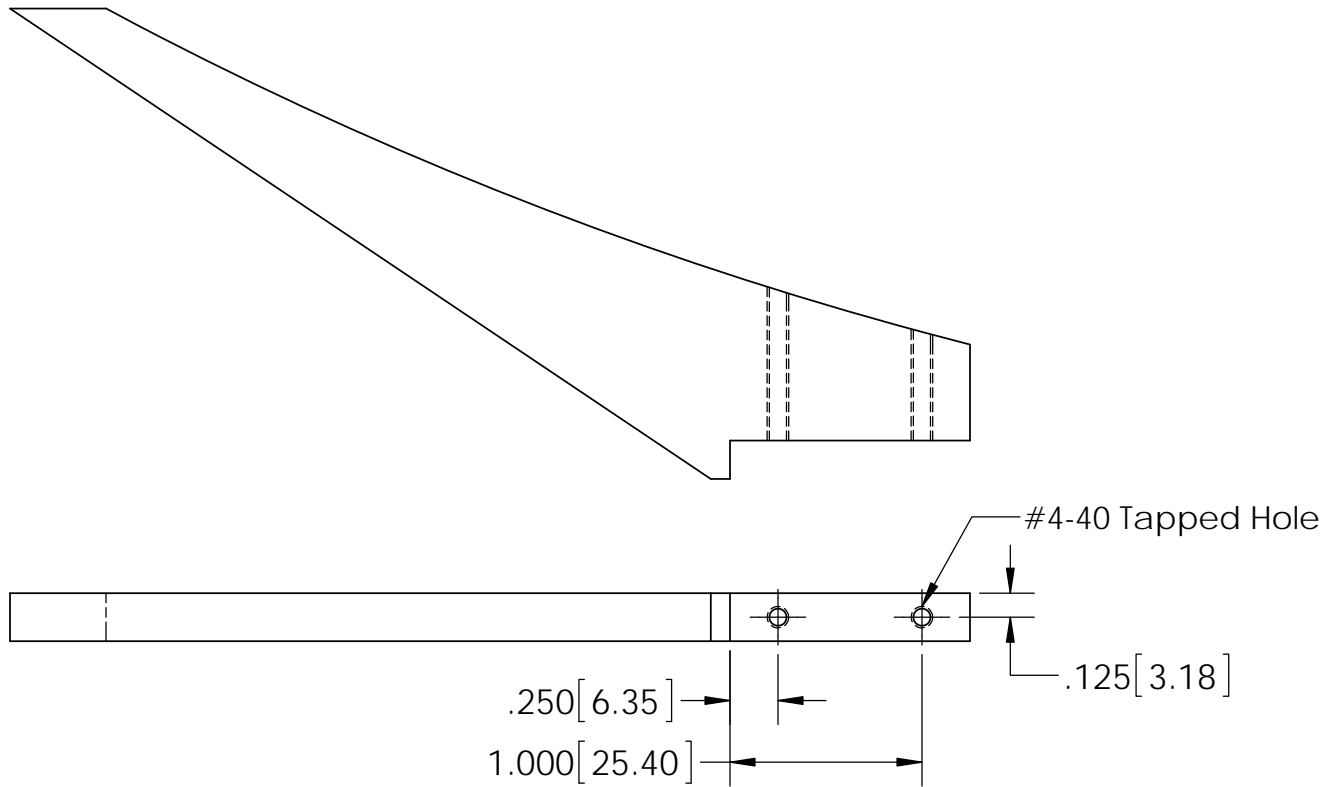


SIZE
A



REMOVE BURRS & SHARP EDGES

UNLESS OTHERWISE SPECIFIED:
DIMENSIONS ARE IN INCHES

TOLERANCES:
FRACTIONAL $\pm 1/32"$
ANGULAR: MACH $\pm 2^\circ$ BEND: $\pm 1/16"$
TWO PLACE DECIMAL $\pm 0.020"$
THREE PLACE DECIMAL $\pm 0.005"$

HORN, OUTFEED FRONT

DESCRIPTION

LINEAR BOOK SCANNER

PART NO.

GROUP

ENGINEER

SHAWN WRIGHT
DRAWN BY

11/6/2013
DATE

MATERIAL WEIGHT SCALE REV. 1:2

H:\ME_450\Linear Book Scanner\Sides\

FILE PATH

THIS DRAWING AND ALL PROPRIETARY RIGHTS AND CONCEPTS HEREIN ARE THE EXCLUSIVE PROPERTY OF AND ARE NOT TO BE USED, DUPLICATED OR TREATED IN ANY WAY INCONSISTANT WITH SUCH RIGHTS WITHOUT PERMISSION OF .