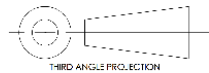
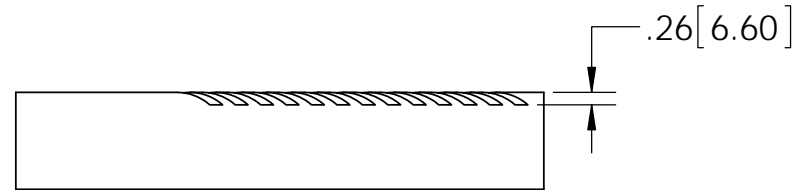
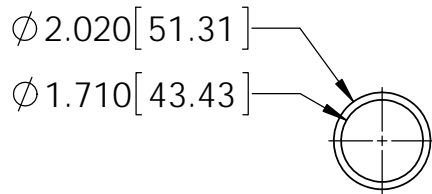
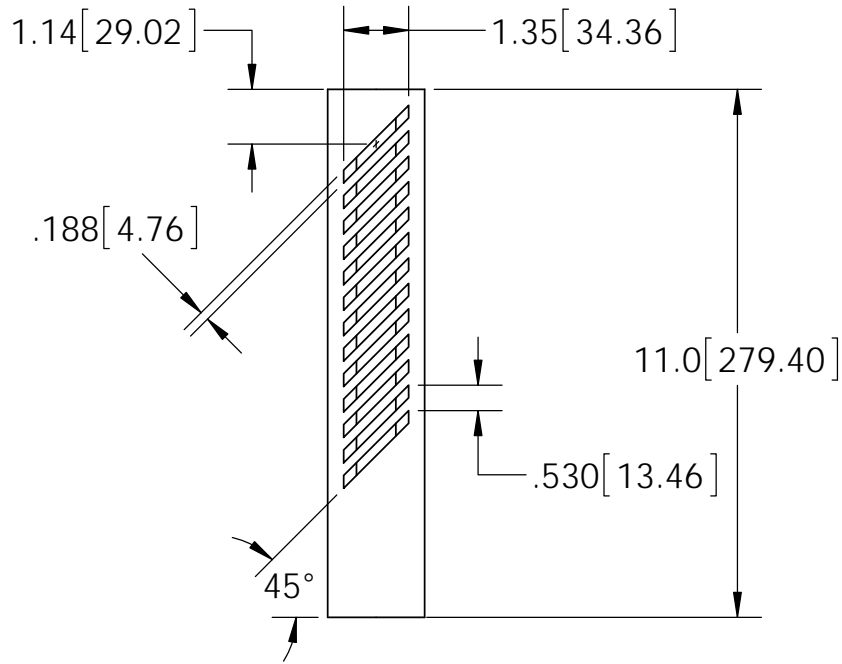


SIZE
A



REMOVE BURRS & SHARP EDGES

UNLESS OTHERWISE SPECIFIED:
DIMENSIONS ARE IN INCHES

TOLERANCES:
FRACTIONAL $\pm 1/32"$
ANGULAR: MACH $\pm 2^\circ$ BEND: $\pm 1/16"$
TWO PLACE DECIMAL $\pm 0.020"$
THREE PLACE DECIMAL $\pm 0.005"$

OUTSIDE TUBE, VACUUM TUBE

DESCRIPTION

LINEAR BOOK SCANNER

PART NO.

GROUP

ENGINEER

SHAWN WRIGHT

DRAWN BY

11/5/2013
DATE

DELTRIN

MATERIAL

WEIGHT

1:4

SCALE

REV.

H:\ME_450\Linear Book Scanner\Vacuum Tube\

FILE PATH

THIS DRAWING AND ALL PROPRIETARY RIGHTS AND CONCEPTS HEREIN ARE THE EXCLUSIVE PROPERTY OF LBS AND ARE NOT TO BE USED, DUPLICATED OR TREATED IN ANY WAY INCONSISTANT WITH SUCH RIGHTS WITHOUT PERMISSION OF LBS.